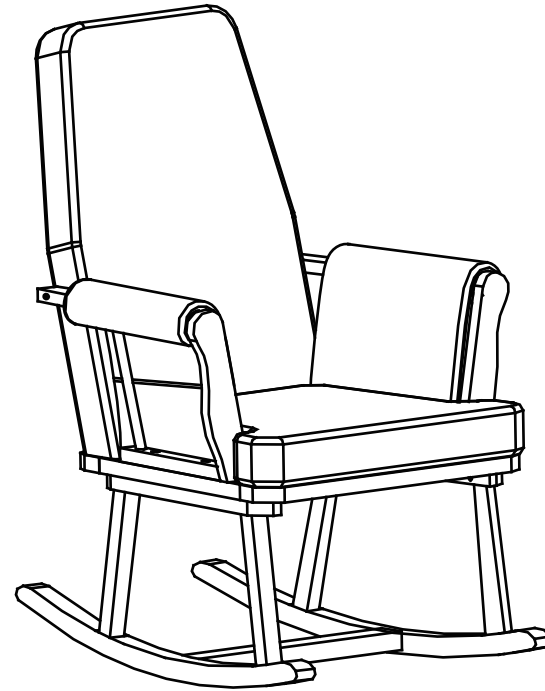


HALDON ROCKING CHAIR ASSEMBLY GUIDE



sleep well with... **KUB**



Like us on Facebook www.facebook.com/kubnursery

Thank you for purchasing KUB nursery furniture.
This simple guide should ensure you have your furniture up in no time!

Once your KUB furniture is done, why not join us on facebook or visit our website where you will find lots of sleep advice, top tips & fact packed features to ensure that you & your baby get that perfect night's sleep.

sleep well...

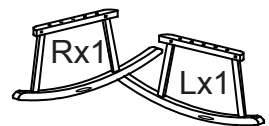


www.kubnursery.com

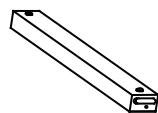
 www.facebook.com/kubnursery

Should you have any problems with your KUB product,
Please visit our websites above or email:
customercare@kubproducts.com

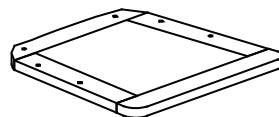
YOUR SIMPLE PARTS LIST



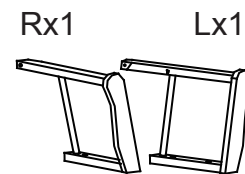
01 x 2



02 x 1



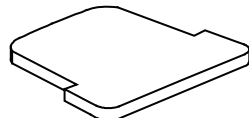
03 x 1



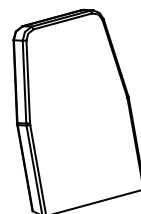
04 x 2



05 x 2



06 x 1



07 x 1

THE TOOLS REQUIRED TO DO THE JOB

KUB



ALL THE FITTINGS YOU WILL NEED



M6X60mm

(A) x 4



M6X35mm

(B) x 10



(C) x 1

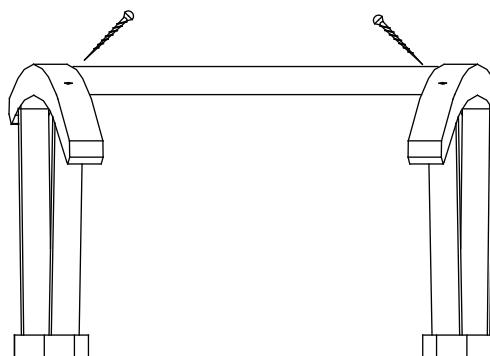
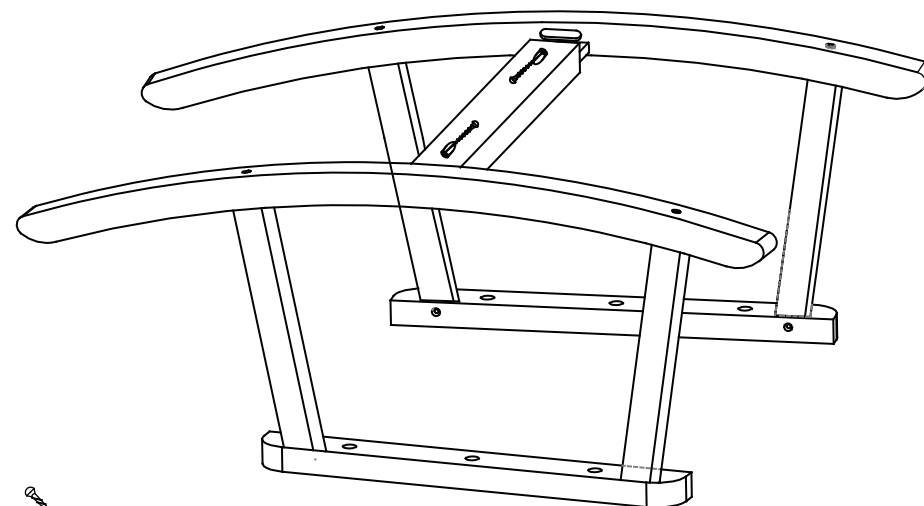
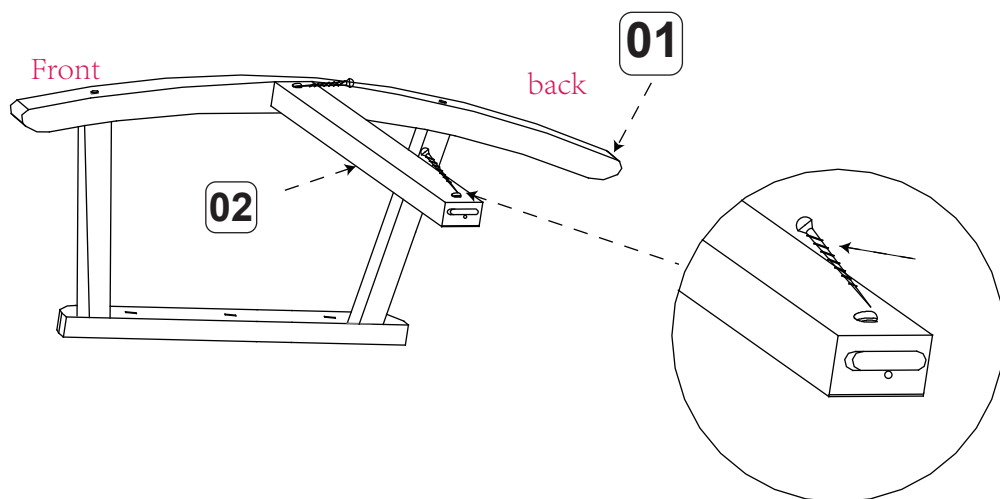


M4X30mm

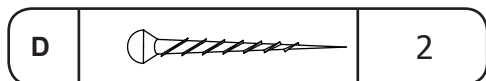
(D) x 2

1.

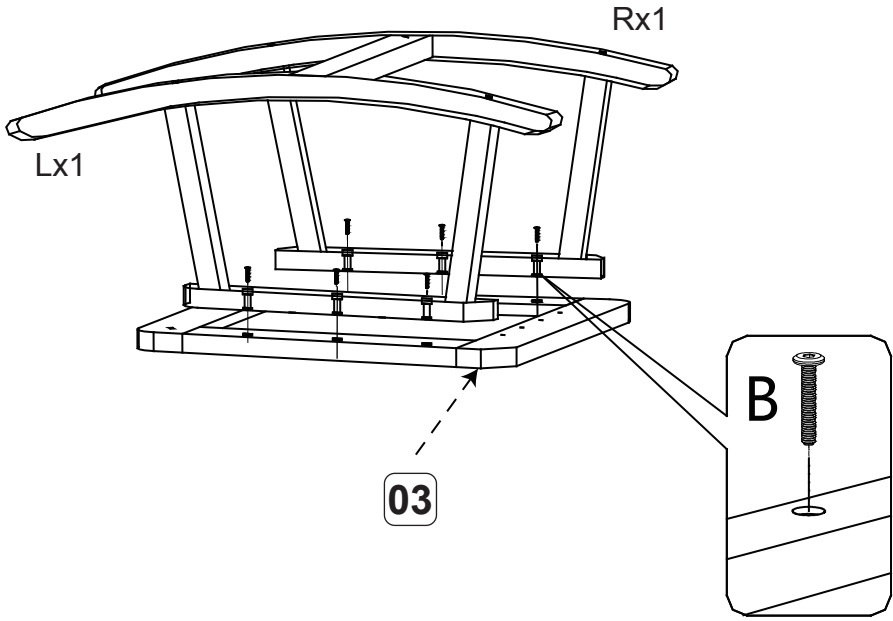
2.





Ensure the longer side of part 02 is facing front and there is no gap between part 01 and 02.

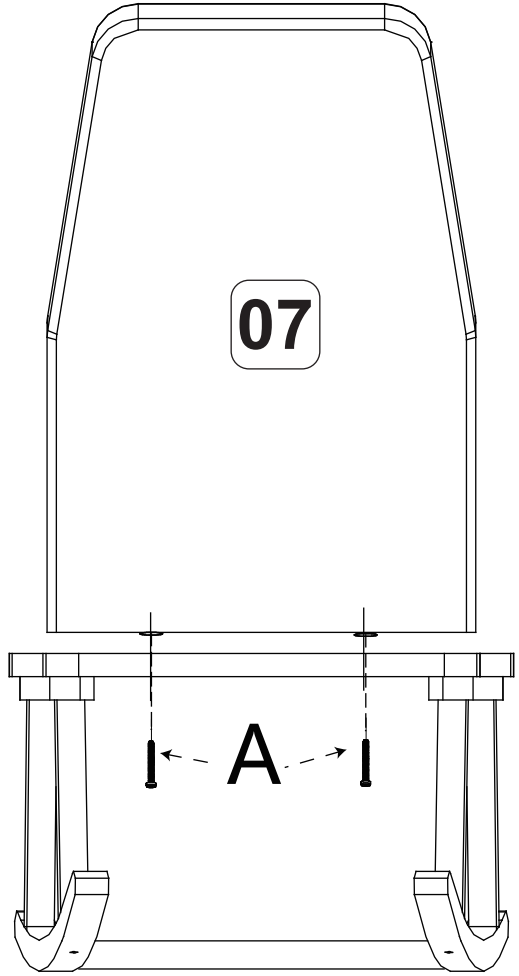




3.



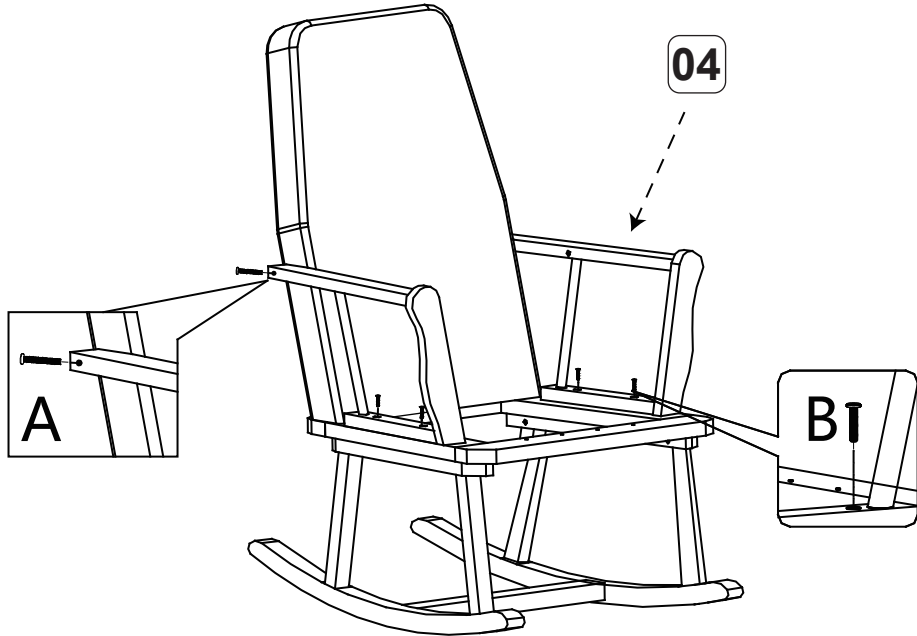
B		6
C		1

4.

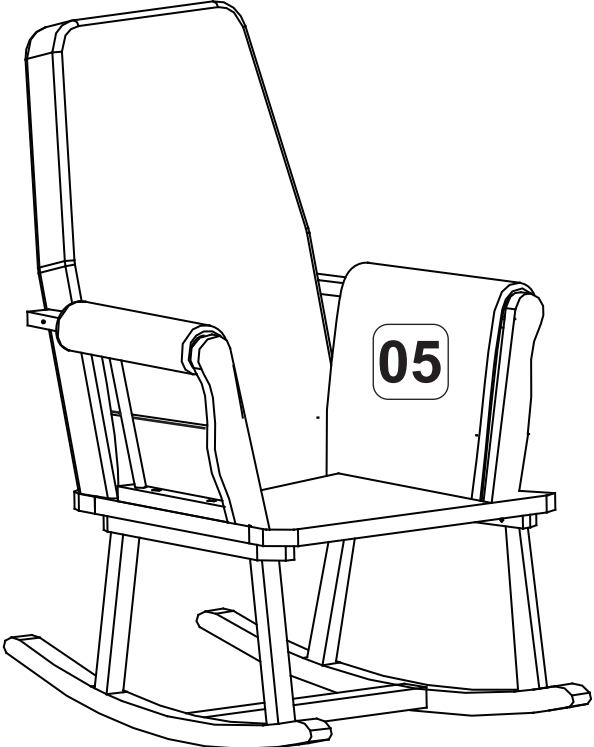




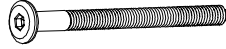
A		2
C		1

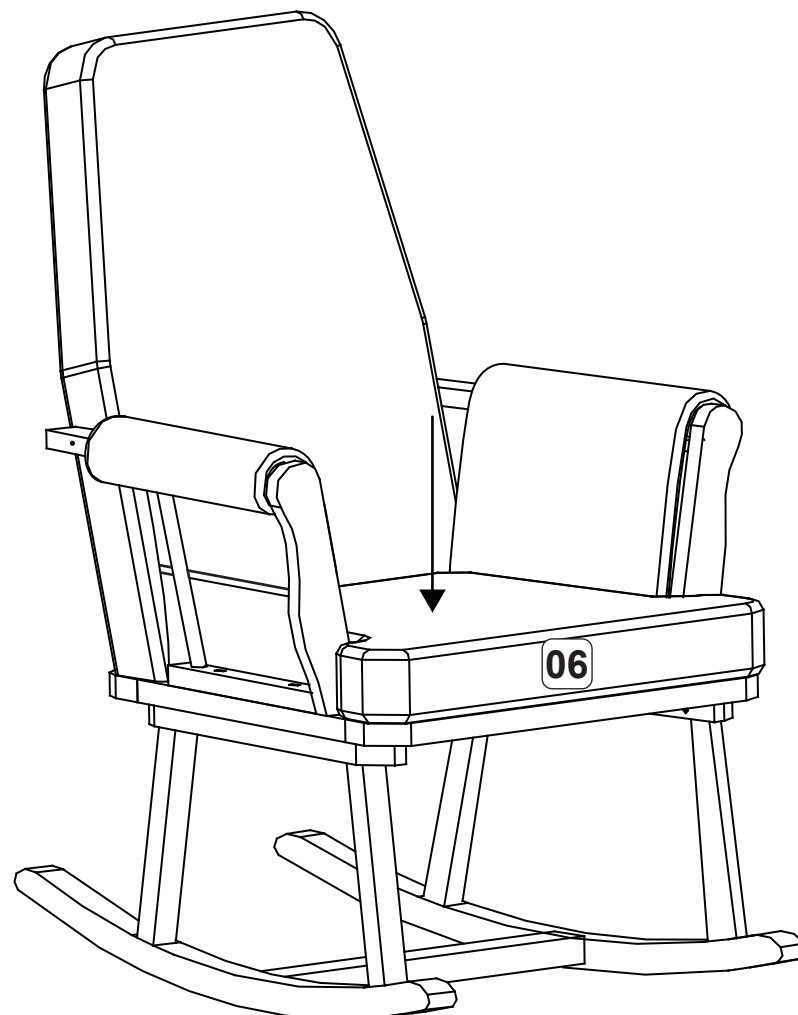
5.



6.



C		1
B		4
A		2



The serious Bit.....

**IMPORTANT, RETAIN FOR FUTURE REFERENCE:
READ CAREFULLY**

Warnings:

- a) Warning: Care should be taken as the underside mechanism of this rocking chair could present a hazard to other people when in use.
- b) Warning: Do not sit on the edge of the seat, armrests or on the backrest as this could cause the chair to tip over.
- c) Warning: Do not use the chair as a step stool.
- d) Warning: Do not leave children unattended on or beside the rocking chair.

Care and Cleaning

Wipe away spills immediately to prevent staining.

Do not scratch or chip the finish.

Use a cloth dampened with water and/or mild soap or a professional product to clean the fabric.

Always test an inconspicuous area first.

Allow upholstery to dry and brush lightly.

Keep away from the heat to avoid glazing, melting or scorching.

Cushions are to be dry cleaned only, do not machine-wash.